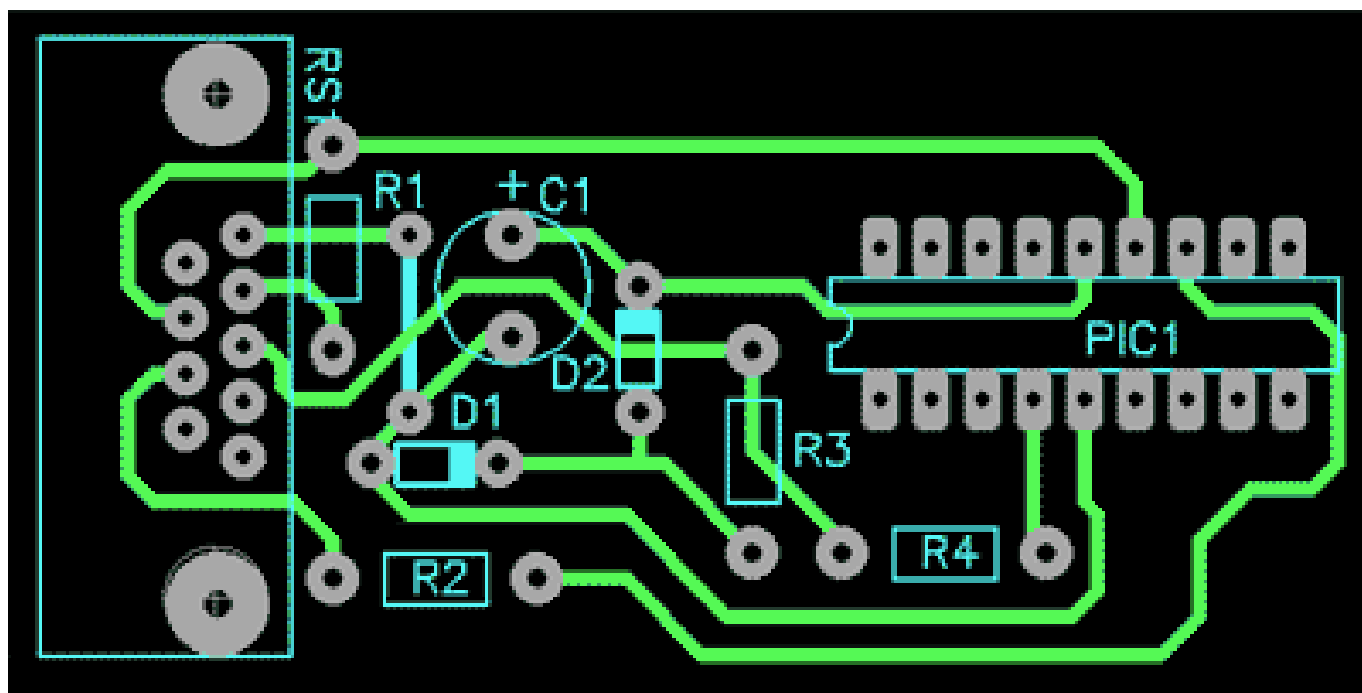

Mathew.Lane.DrMS.v4.0.VST.RTAS.x32x.FULL.Version.rar



DOWNLOAD: <https://tinurli.com/29gn91>



a9c2e16639

- [Windows 7 ultimate x64 serial](#)
- [Vidieos Free Sex Lesbiennes](#)
- [Patrician IV - Steam Special Edition Torrent Download \[torrent Full\]](#)
- [the Spinning the Yarn italian dubbed free download](#)
- [heat movie full](#)
- [diwani sheikh ibrahim niass pdf download](#)
- [far cry 2 pc crack download](#)

[HerunterladenConfigurator 360 2016 Riss 64 Bits DE](#)
[dead disk doctor plus 1.32 crack](#)
[tv player software new soft presto pvr 32](#)